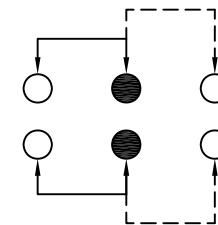
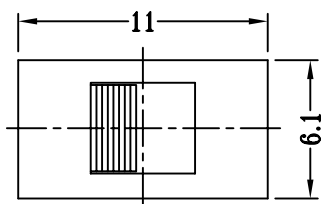
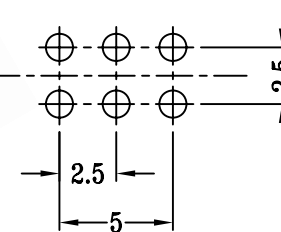
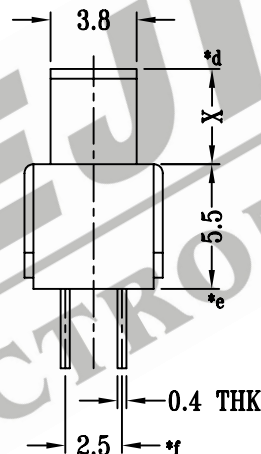
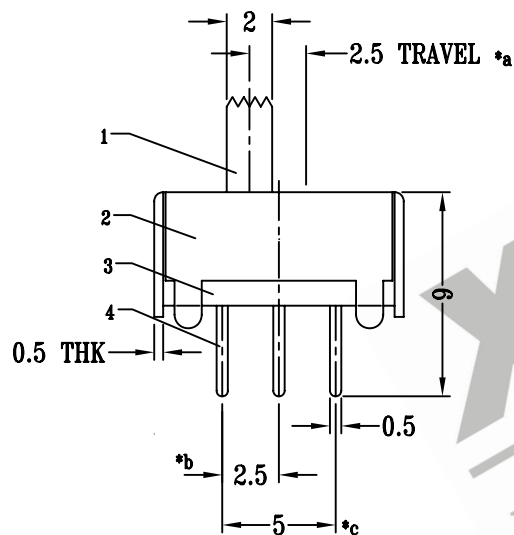


CAD FILE:



SCHEMATIC (NON-SHORTING)



P.C.B LAYOUT

注:带"*"表示关键尺寸(6个)

				TOLERANCE UNLESS SPECIFIED		SHENZHEN XIEJIA ELECTRONICS CO.,LTD.				
				WITHIN: 1.5±0.1mm		ISSUE	DATE	DESCRIPTIONS		APPD.
				OVER : 1.5±0.2mm						
8										
7										
6	SPRING	STEEL WIRE	2	TEMPER						
5	CONTACT CLIP	COPPER STRIP	2	Ag PLATED						
4	TERMINAL	BRASS STRIP	6	Ag PLATED OVER Ni PLATED	TITLE : VERTICAL SLIDE SWITCH		UNIT : MM	DRWG NO.: XJ-DR-SS22E11-00		
3	BASE	PHENOLIC RESIN	1	ORANGE	MODEL: SS-22E11		SCALE: 3:1	DWN.	ZHOUYU	2003-11-9
2	FRAME	STEEL STRIP	1	Ni PLATED				CHK'D	FANGYING	2003-11-9
1	KNOB	POM	1	BLACK	ALL MATERIALS MUST BE COMPLIANT TO ROHS			APPD.	KANGXINAN	2003-11-9
NO.	PART NAME	MATERIAL	Q'TY	FINISHING						